



Panic Hardware

DORMA PHA 2500



The DORMA PHA 2500 panic hardware system.



Innovative, advanced hardware system for emergency exits.


With its PHA 2500 system, DORMA is able to offer a high-quality panic exit device on the basis of an integrated emergency escape lock. The system is certified according to EN 1125 and carries the **CE** mark and is ideal for narrow stile doors in emergency exits in which safety, security, reliability and aesthetic elegance are a must. This Panic Hardware system constitutes a further building block in the DORMA product portfolio for the safe

control of emergency escape routes. It satisfies in full the demands placed on emergency exit devices used in public facilities such as hospitals, universities and schools, concert halls, shopping malls, hotels and administrative buildings. With this series, moreover, the external fitting can be provided in the form of an OGRO project lever handle to EN 1906 and DIN 18273 from its ZS range.

Approval certification

The panic exit devices in the DORMA PHA 2500 series are tested and certified to EN 1125. All products comply with the requirements of Annex ZA to EN 1125 and thus qualify to carry the **CE** mark of conformity. Additional approval certification of the relevant fire and smoke check doors may be necessary – check local regulations.



Additional information can be retrieved on many of DORMA's products at **www.dorma.com**. The abbreviated designations next to the computer symbol  symbol indicate the search terms to be applied in each case.

Contents

	Page
DORMA PHA 2500	
Features and functions	4
DORMA PHA 2500	
Dimensions	6
DORMA PHA 2500	
Applications and installation	8
DORMA PHA 2500	
Components	10
OGRO ZS-Technik	
Door fittings	14
DORMA 447, 442, 117 RS	
Electric strikes	15

Practical panic hardware – ideal exit devices for narrow-stile doors.

With its series PHA 2500 (touch bar), the project lever handle range from OGRO and corresponding complementary accessories, DORMA is able to offer a high-performance panic hardware system ideal for

both internal and external narrow-stile doors. The integrated mortise panic/emergency escape lock enables the door to be engaged by both latch and bolt.

The benefits at a glance

For the trade

- Certified system in one complete pack.
- One actuation touch bar for all door widths.
- Suitable for use in conjunction with stock OGRO ZS project lever handles.
- Further accessories available for individual applications.

For the architect/specifier

- High-quality appearance with no visible fixing screws.
- Projection from face according to EN 1125.
- Certified system compliant with Euronorm standard.
- All OGRO ZS project lever handles compliant with EN 1906 and DIN 18273 can be used.

For the fabricator/installer

- Full range of expertise from a single source.
- Easy to install.
- Readily adaptable to different door widths and heights.
- Excellent range of accessories.

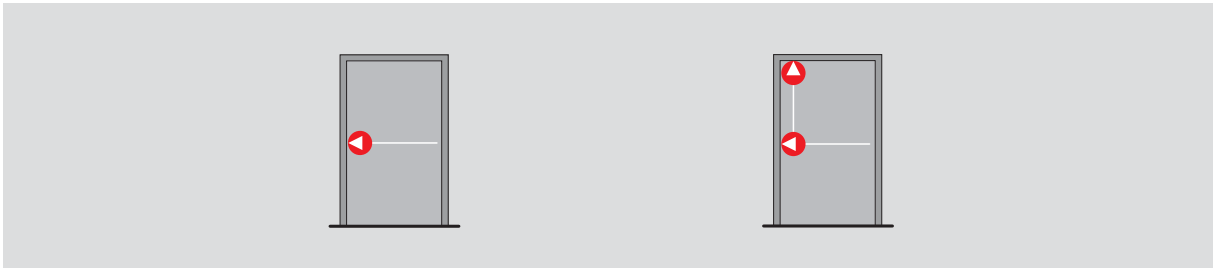
For the user

- Optimum safety – even under pre-load, the door can be opened from anywhere across its full width.
- Single-source supply for a full range of customer services.

Data and features	PHA Series 2500			PHA Series 2500		
	1-point	1-point	1-point	2-point	2-point	2-point
Standard doors in emergency escape routes (single-leaf)	●	●	●	●	●	●
Fire and smoke check doors (single-leaf) F	●	●	●	●	●	●
Door width ¹⁾ ≤ 1300 mm	●	●	●	●	●	●
Door height ¹⁾ ≤ 2500 mm				●	●	●
Max. door leaf weight in kg ¹⁾	200	200	200	200	200	200
Handing RH (ISO 5) LH (ISO 6)	●	●	●	●	●	●
Projection from face ≤ 100 mm	●	●	●	●	●	●
Narrow stile locks	●	●	●	●	●	●
Timber door locks	–	–	–	–	–	–
Backset 35/40/45	●	●	●	●	●	●
Europrofile cylinder centres 92 mm	●	●	●	●	●	●
Europrofile cylinder to DIN 18252	●	●	●	●	●	●
Suitability for use of an electronic EP cylinder	○	○	○	○	○	○
Panic function	Transit	Transmission	Change-over	Transit	Transmission	Change-over
Forend width 24 mm	●	●	●	●	●	●
Square follower/lever handle spindle 9 mm	●	●	●	●	●	●
Locking rod with spring lock				●	●	●
Unlocking via DORMA electric strikes 447/442/117 RS	○	○	○	○	○	○
Powder-coated silver/special colour	●	●	●	●	●	●
Mock stainless steel finish	●	●	●	●	●	●
OGRO external fitting, ZS range	○	○	○	○	○	○
Tested and certified to EN 1125	●	●	●	●	●	●
CE mark for construction projects	●	●	●	●	●	●
ISO 9000	●	●	●	●	●	●

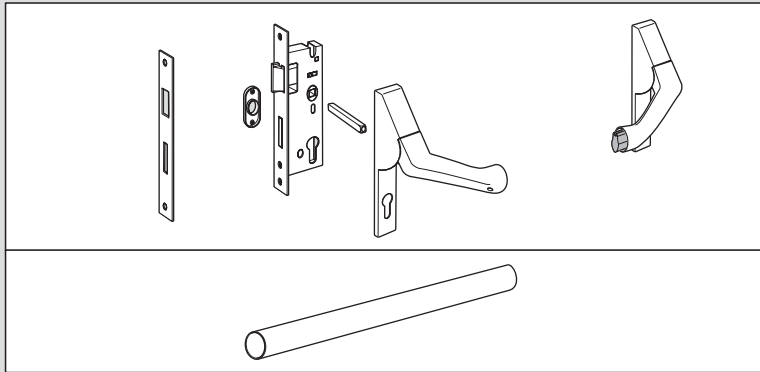
● = yes – = no ○ = option

¹⁾Data correspond to the maximum application scope of EN 1125.

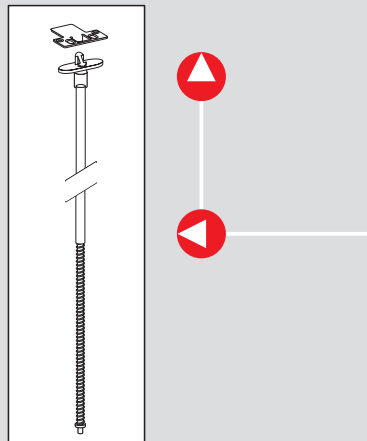


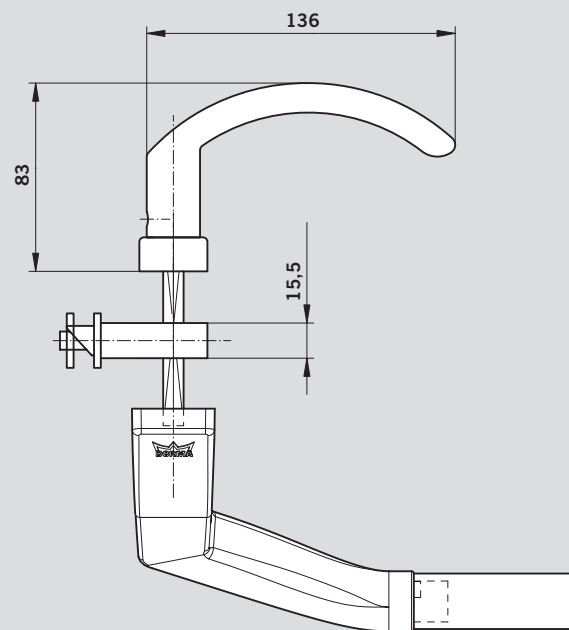
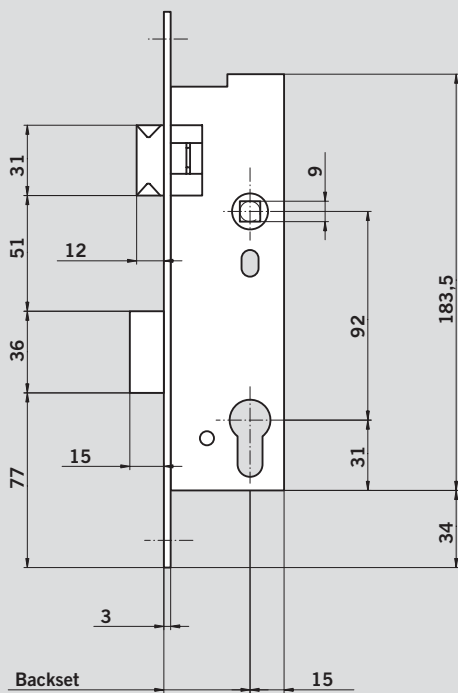
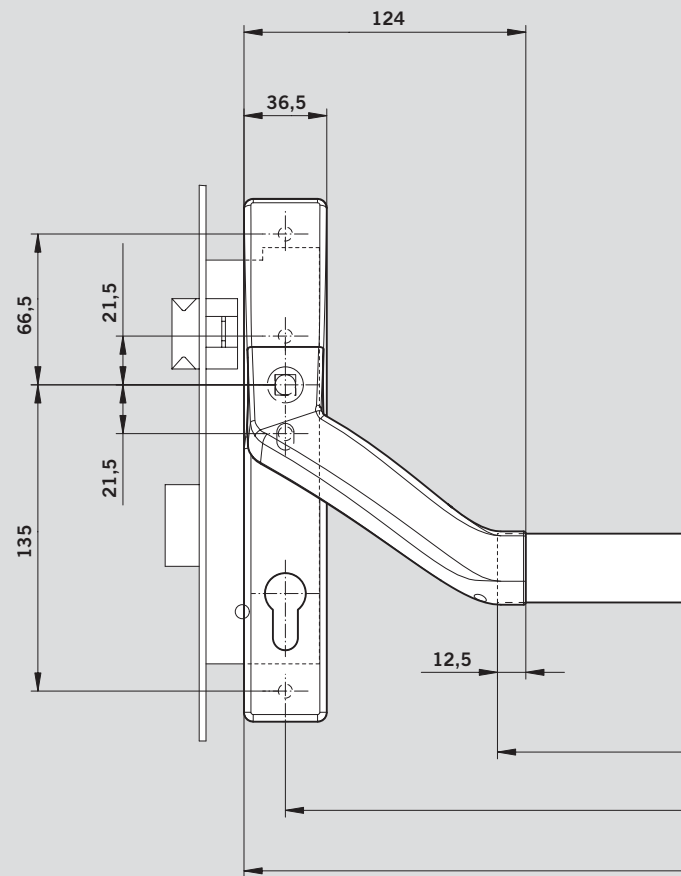
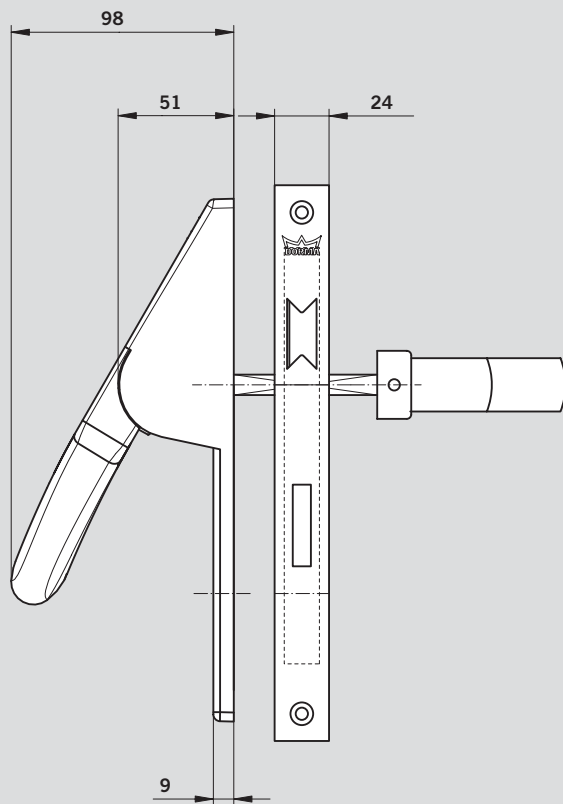
The PHA 2500 panic hardware system

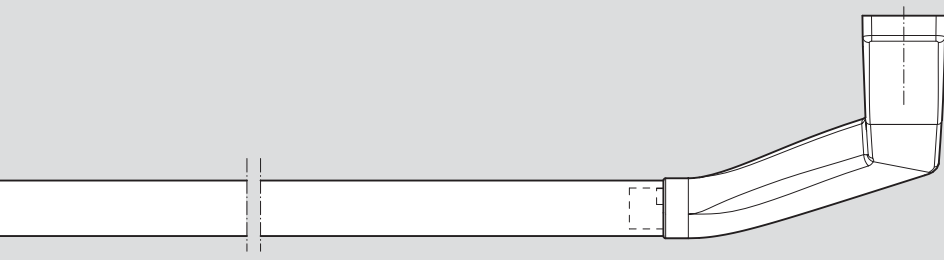
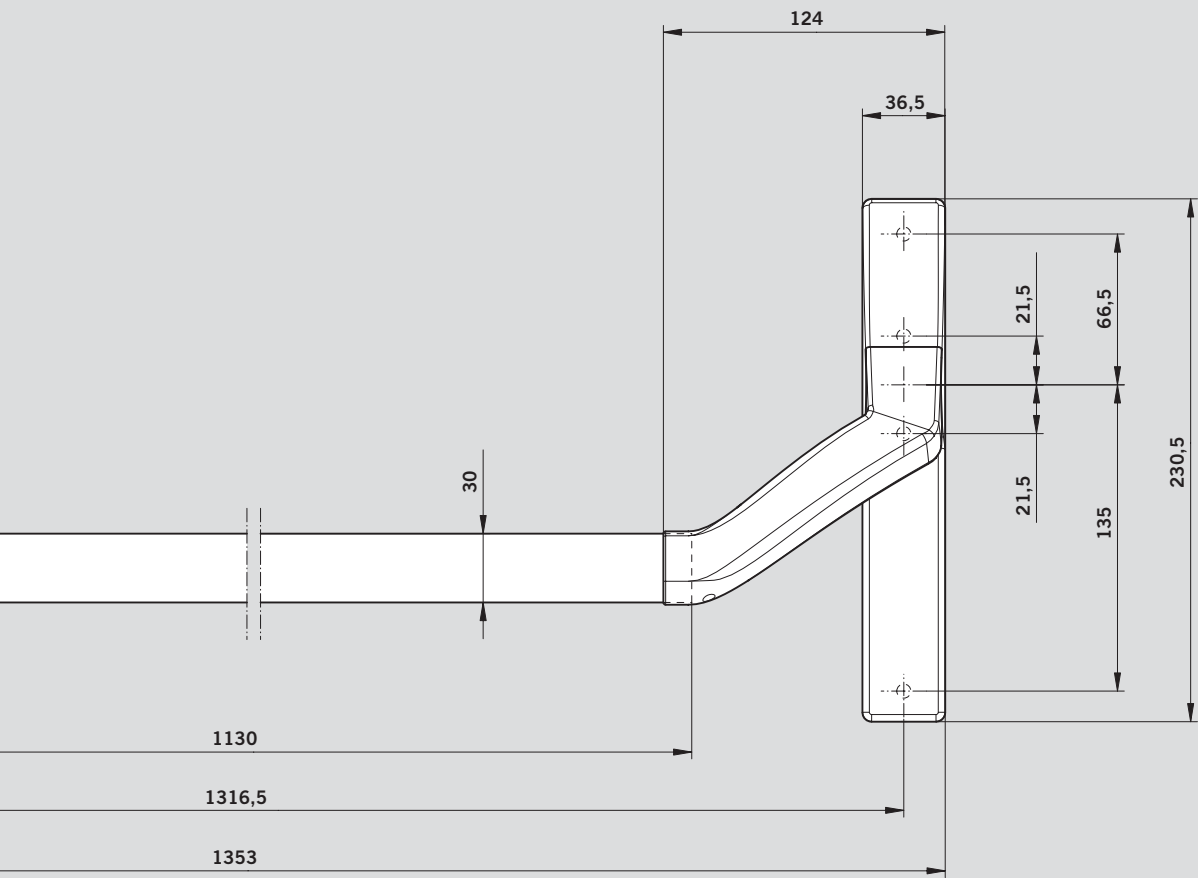
1-point locking



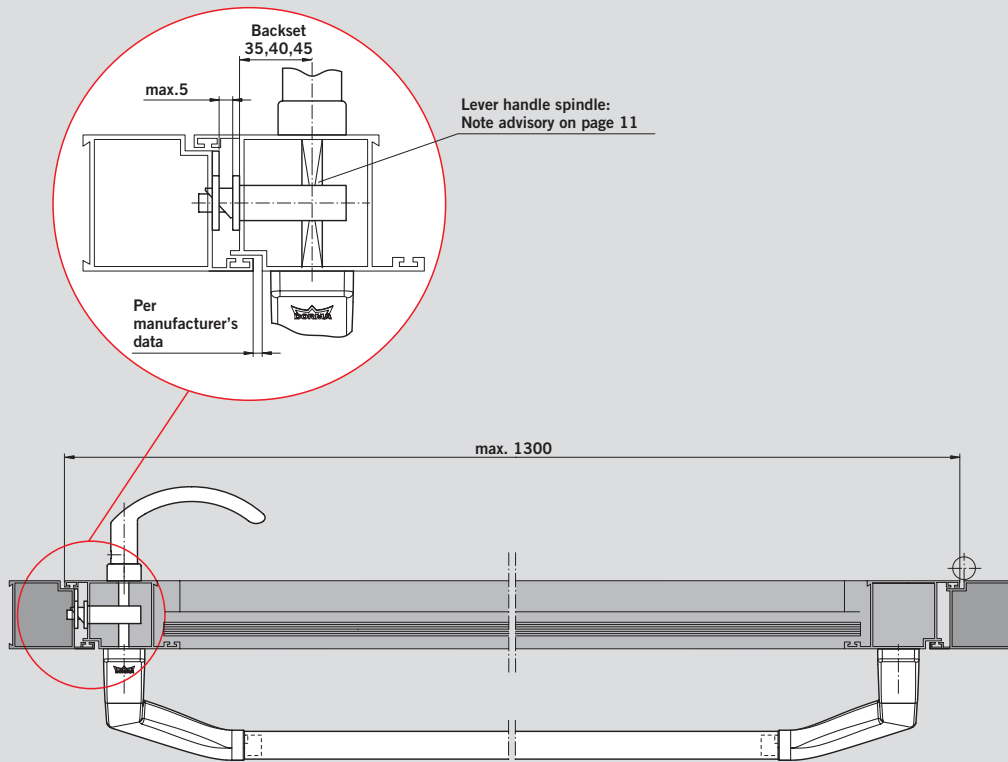
2-point locking



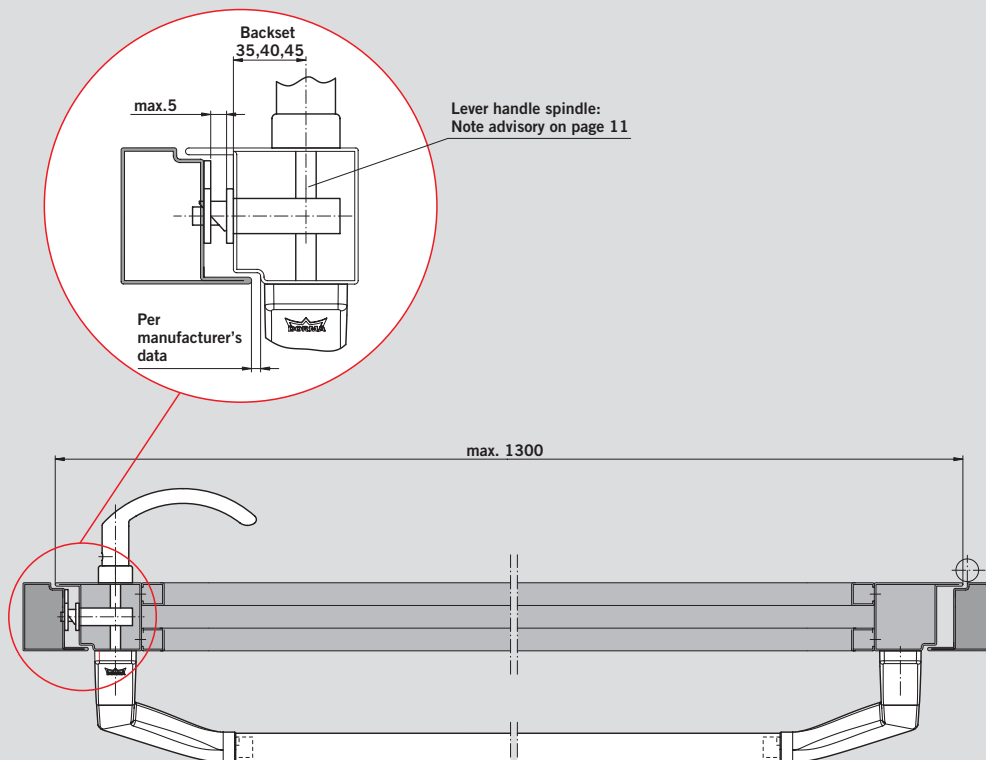




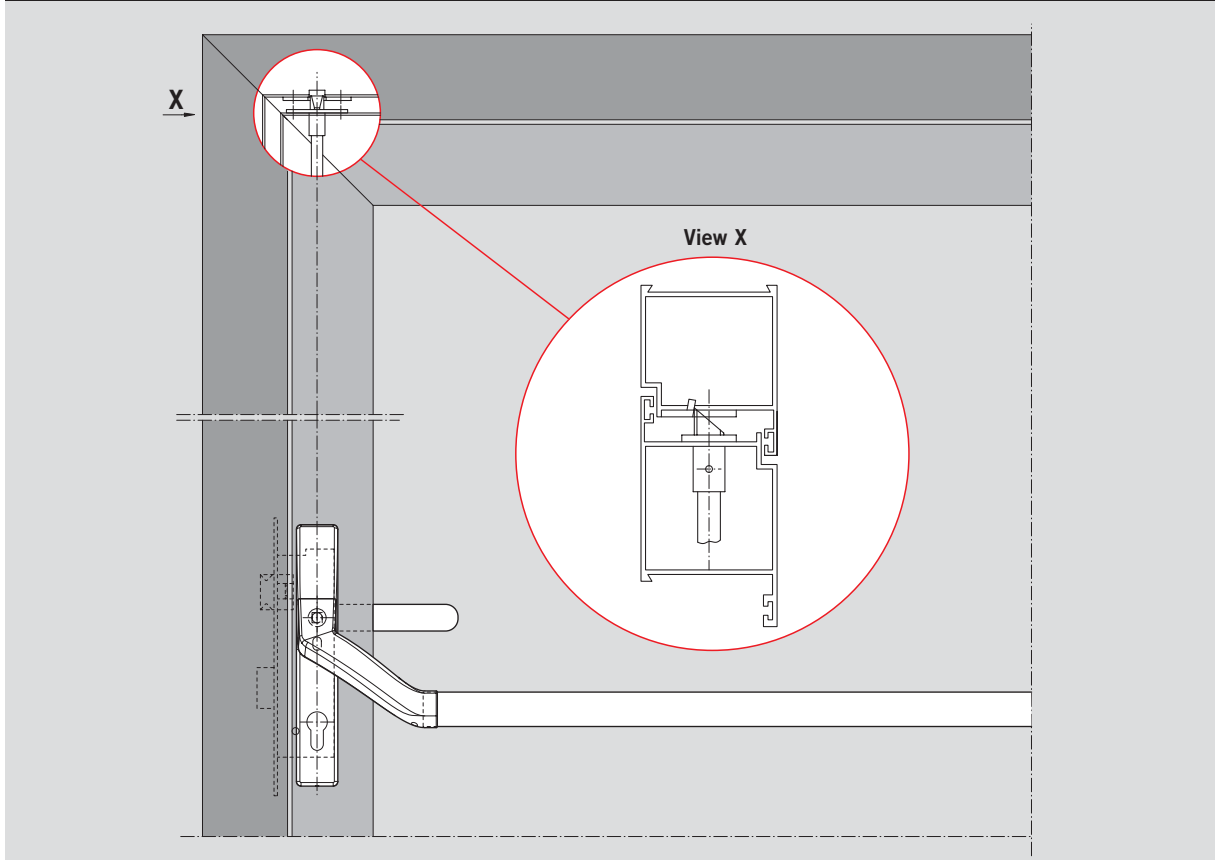
1-point locking, aluminium door



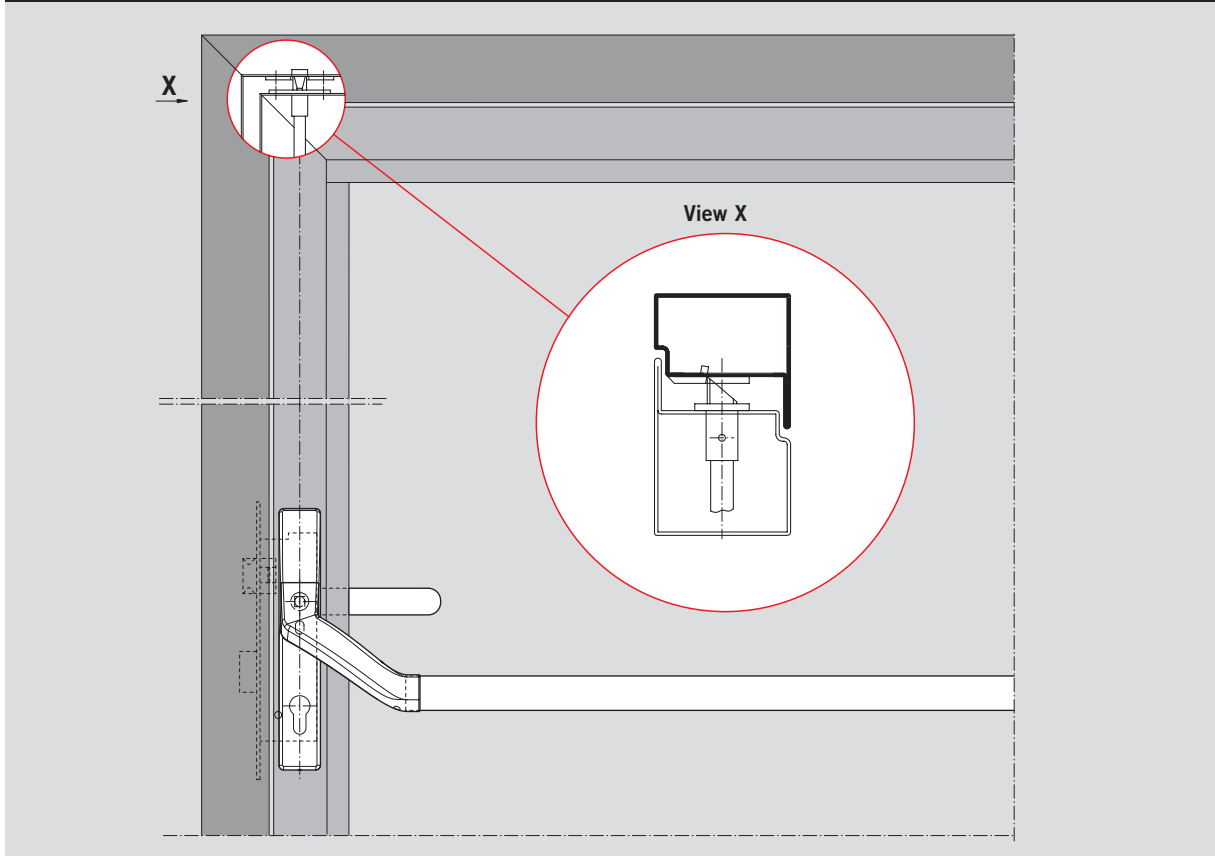
1-point locking, steel door



2-point locking, aluminium door



2-point locking, steel door



Specification text

PHA Series 2500

Panic exit device in "New Soft" design, compliant with EN 1125, for single-leaf narrow-stile doors, door widths up to 1300 mm; projection from face per category 2 \leq 100 mm, nip-free design, no visible fixing screws. With backset of 35/40/45 mm and

- Mode of operation B / Change-over function
- Mode of operation D / Transit function
- Mode of operation E / Transmission function

Prepared for installation of a mechanical or electronic cylinder (Europrofile cylinder). Electrical unlocking via DORMA 447, 442 or 117 RS electric strikes. Power supply by others. All products of the PHA 2500 series carry the **CE** mark.

- Silver
- Mock stainless steel
- Special colour

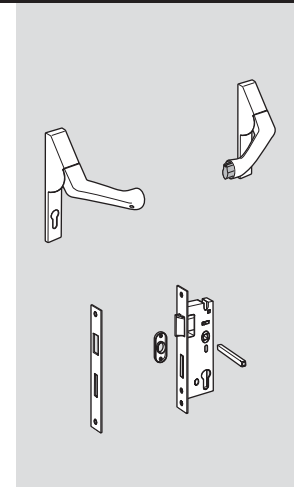
Order No. 35014 ..



..2511xx01

..2511xx04

..2511xx09 PHA 2500

**PHA Series 2500 for locking rod**

Panic exit device in "New Soft" design, compliant with EN 1125, for single-leaf narrow-stile doors, door widths up to 1300 mm, door height up to 2500 mm; projection from face per category 2 \leq 100 mm, nip-free design, no visible fixing screws. With backset of 35/40/45 mm and

- Mode of operation B / Change-over function
- Mode of operation D / Transit function
- Mode of operation E / Transmission function

Prepared for installation of a mechanical or electronic cylinder (Europrofile cylinder). Electrical unlocking via DORMA 447, 442 or 117 RS electric strikes. Power supply by others.

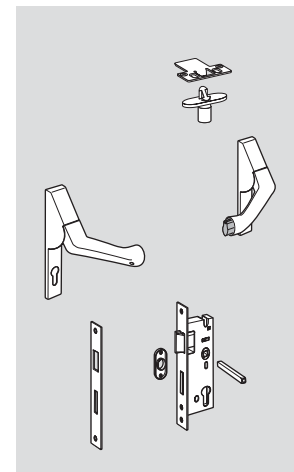
All products of the PHA 2500 series carry the **CE** mark.

- Silver
- Mock stainless steel
- Special colour

..2511xx01

..2511xx04

..2511xx09 PHA 2500



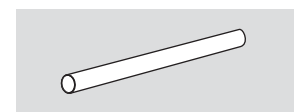
Connecting rod for door widths over 1300 mm

- Silver
- Mock stainless steel
- Special colour

..21050001

..21050004

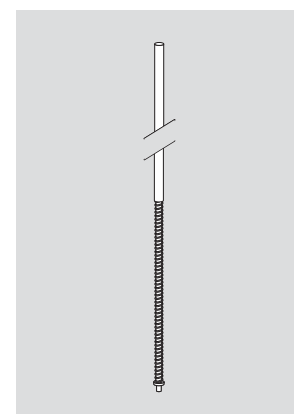
..21050009



Locking rod for PHA 2500

for door heights up to 2500 mm

..25150000



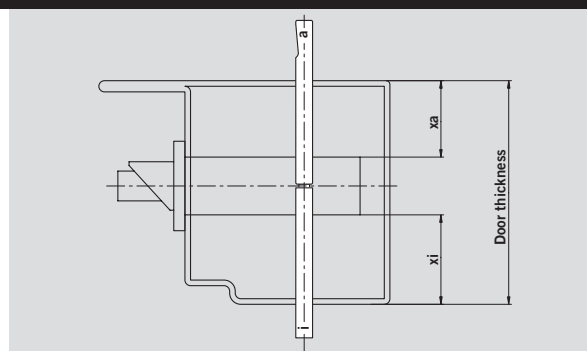
Product	Handing	Backset	Lock function	Order-No. 35014 ..
PHA 2500	LH (ISO 6)	35	D Transit	.. 251101xx
			E Transmission	.. 251102xx
			B Change-over	.. 251103xx
		40	D Transit	.. 251104xx
			E Transmission	.. 251105xx
			B Change-over	.. 251106xx
		45	D Transit	.. 251107xx
			E Transmission	.. 251108xx
			B Change-over	.. 251109xx
	RH (ISO 5)	35	D Transit	.. 251110xx
			E Transmission	.. 251111xx
			B Change-over	.. 251112xx
		40	D Transit	.. 251113xx
			E Transmission	.. 251114xx
			B Change-over	.. 251115xx
		45	D Transit	.. 251116xx
			E Transmission	.. 251117xx
			B Change-over	.. 251118xx
PHA 2500 For locking rod with spring lock	LH (ISO 6)	35	D Transit	.. 251119xx
			E Transmission	.. 251120xx
			B Change-over	.. 251121xx
		40	D Transit	.. 251122xx
			E Transmission	.. 251123xx
			B Change-over	.. 251124xx
		45	D Transit	.. 251125xx
			E Transmission	.. 251126xx
			B Change-over	.. 251127xx
	RH (ISO 5)	35	D Transit	.. 251128xx
			E Transmission	.. 251129xx
			B Change-over	.. 251130xx
		40	D Transit	.. 251131xx
			E Transmission	.. 251132xx
			B Change-over	.. 251133xx
		45	D Transit	.. 251134xx
			E Transmission	.. 251135xx
			B Change-over	.. 251136xx

For description of lock functions D, E and B, see pages 12, 13.

Lever handle spindles

The lever handle spindles included in the scope of supply of the PHA 2500 system are designed for door thicknesses of 50 – 60 mm or 60 – 70 mm. In the case of locks with functions D and B (split follower), a central lock fit is necessary for these lever handle spindles.

In the case of door leaf thicknesses outside the given ranges and/or an asymmetric lock fit, the corresponding lever handle spindle will need to be separately ordered. Please ensure that all the relevant drawing dimensions are indicated.



Lock functions

	Basic setting	Inner face	Outer face	Return to basic setting following passage from inside	Return to basic setting following passage from outside
F Transmission function	Locked				
	Not locked				
D Transit function	Locked				
	Not locked				
	Locked				
	Not locked				
B Change-over function	Locked				
	Not locked Lever handle not engaged				

Transmission function E

For doors in which unauthorised opening from the outside must be reliably prevented. Opening of the door from the inside (danger side) is always possible.

In the event of a panic situation, the latch and the engaged bolt are retracted simultaneously by actuating the exit device from the inside. The bolt remains withdrawn and can be locked again using the key.

On the outside is a fixed dead knob. The door can be unlocked and the latch retracted using the key. Locking is always performed with the key.

Transit function D

For doors in which passage from the outside may occasionally be necessary. Opening of the door from the inside (danger side) is always possible. Following panic activation, access from the outside is also automatically enabled.

In the event of a panic situation, the latch and the engaged bolt are retracted simultaneously by actuating the exit device from the inside. After panic unlocking, the bolt remains withdrawn and can be locked again with the key.

If a lever handle is fitted to the outside face, the lock can be retracted with the key and the latch with the lever handle. If a knob is located on the outside face, the key can be used both to retract the lock and the latch. Re-locking is performed with the key.

Change-over function B

For doors in which passage from the outside may occasionally be necessary. The lever handle on the outside face may be engaged and disengaged. Opening of the door from the inside (danger side) is always possible.

In the event of a panic situation, the latch and the engaged bolt are retracted simultaneously by actuating the exit device from the inside. After panic unlocking, the bolt remains withdrawn and can be locked again with the key.

A lever handle is fitted to the outside face. The key can be used to retract the lock and engage the lever handle which can then be used to retract the latch. The lever handle remains engaged until the key is used to re-lock the door.

Lever handle fittings for narrow stile doors



ZS 8100



ZS 8140



ZS 8526



ZS 8907



ZS 8101



ZS 8141



ZS 8830

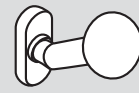
Knobs for narrow stile doors



PB 3020 FS



PB 3548 FS

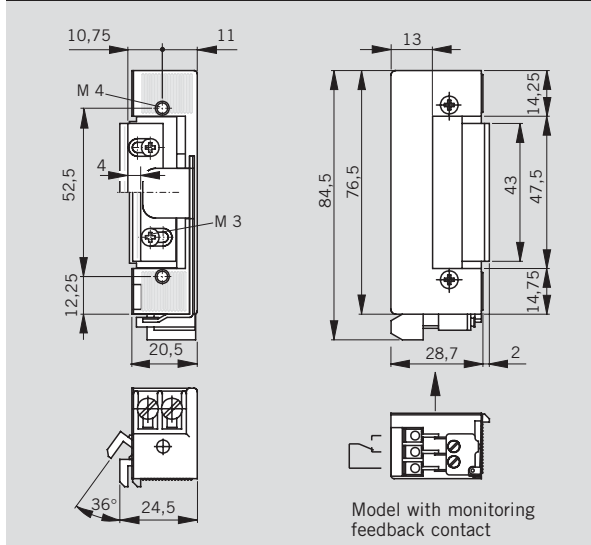


PB 3548 S FS

Lever handles with narrow roses for use on narrow stile doors according to EN 1906 and DIN 18273 (for fire and smoke check doors).



Series 447



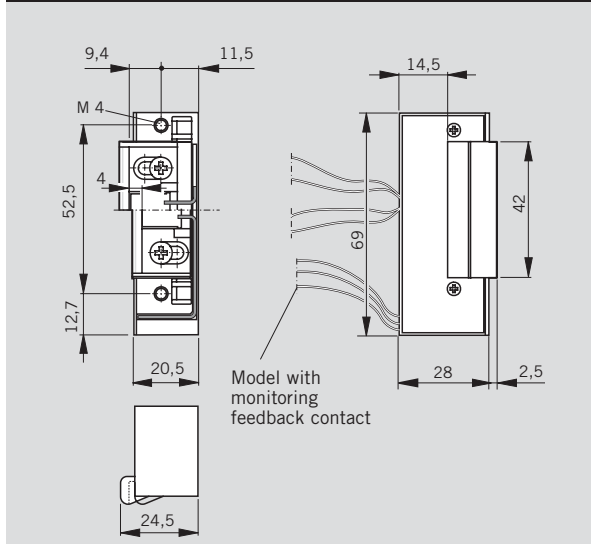
Specification text

DORMA 447 safety electric strike for installation in any position on fire and smoke check doors, with adjustable latch, for over-rebated and flush-closing meeting stiles, non-handed.

- Fail-secure**
- 6–12 V AC/DC
 - 12 V AC
 - 12 V DC
 - 24 V DC
- With status monitoring feedback

For detailed information see DORMA Electric Strikes brochure

Series 442



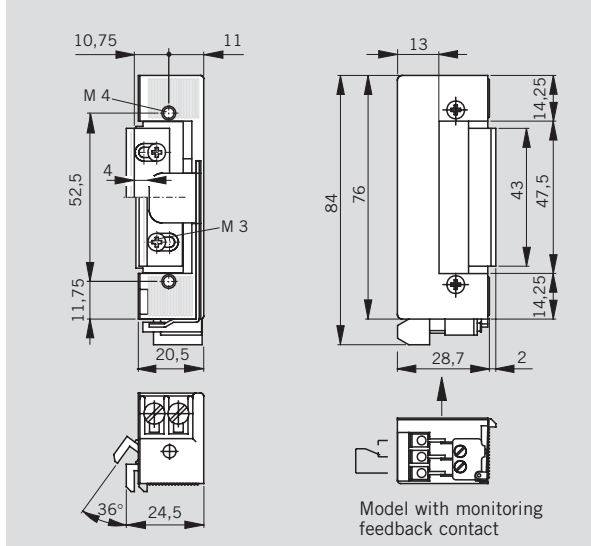
Specification text

DORMA 442 safety electric strike for installation in any position on fire and smoke check doors, with adjustable latch, for over-rebated and flush-closing meeting stiles, non-handed.

- Fail-secure**
- 6–24 V AC/DC
 - 12–48 V AC/DC
 - 24–48 V AC/DC
- With status monitoring feedback

For detailed information see DORMA Electric Strikes brochure

Series 117RS



Specification text

DORMA 117 RS safety electric strike for installation on fire and smoke check doors, with adjustable latch, for over-rebated and flush-closing meeting stiles, non-handed.

- Fail-secure**
- 6–12 V AC/DC
 - 12 V AC
 - 12 V DC
 - 24 V DC
- With status monitoring feedback

For detailed information see DORMA Electric Strikes brochure

www.dorma.com

Door Control Division worldwide

Central Europe

DORMA GmbH + Co. KG
Breckerfelder Str. 42-48
D-58256 Ennepetal
Tel. +49 23 33/7 93-0
Fax +49 23 33/7 93-4 95

Australia

DORMA Door Controls Pty. Ltd.
52 Abbott Road
Hallam/Victoria 3803
Australia
Tel. +61 3/97 96 35 55
Fax +61 3/97 96 39 55

China

DORMA Door Controls (Suzhou)
Co. Ltd.
No. 9, Hong Feng Road
Suzhou Singapore Industrial Park
Suzhou, 215021
P. R. of China
Tel. +86 512/67612481
Fax +86 512/67614582

DORMA Door Controls Pte. Ltd.
Room 701, Technology Plaza
651 King's Road
North Point
Hong Kong
Tel. +825/250 34632
Fax +825/288 75370

Emerging Markets

DORMA GmbH + Co. KG
Breckerfelder Str. 42-48
D-58256 Ennepetal
Tel. +49 23 33/7 93-0
Fax +49 23 33/7 93-4 95

DORMA Door Controls (Pty.) Ltd.
Kings Court, 4A Mineral Crescent
ZA-2000 Crown/Gauteng
South Africa
Tel. +27 11/8 30 02 80
Fax +27 11/8 30 02 91

Far East

DORMA Door Controls Pte. Ltd.
No. 2 Jalan Terusan,
Jurong
Singapore 619285
Tel. +65 62 68/76 33
Fax +65 62 65/79 14

France

DORMA France S.A.S.
Europarc
42, rue Eugène Dupuis
F-94046 Créteil
Tel. +33 1/41 94 24 00
Fax +33 1/41 94 24 01

Gulf

DORMA Gulf Door Controls FZE
Jebel Ali Free Zone,
Roundabout 8,
Unit VC 02
Dubai, United Arab Emirates
Tel. +971 48/83 90 14
Fax +971 48/83 90 15

North America

DORMA Architectural Hardware
DORMA Drive, Drawer AC
Reamstown, PA 17567
Tel. +1-800-523-8483
Fax +1-800-274-9724

Scanbalt

DORMA Danmark A/S
Sindalvej 6 - 8
DK-2610 Rødovre
Tel. +45 44/54 30 00
Fax +45 44/54 30 01

South America

DORMA Sistemas de Controles
para Portas Ltda.
Av. Piracema, 1400
Centro Empresarial Tambore
CEP 06400 Barueri/
São Paulo, Brasil
Tel. +55 11/41 91 32 44
Fax +55 11/41 91 21 93

South-East Europe

DORMA AUSTRIA GmbH
Pebering Strass 22
A-5301 Eugendorf
Tel. +43 62 25/2 84 88
Fax +43 62 25/2 84 91

South Europe

DORMA Italiana S.r.l.
Via. A. Canova 44/46
I-20035 Lissone (MI)
Tel. +39 039/24 40 31
Fax +39 039/24 40 33 10

DORMA Ibérica, S.A.
Camino San Martin de la Vega, 4
E-28500 Arganda del Rey
(Madrid)
Tel. +34 91/8 75 78 50
Fax +34 91/8 75 78 81

UK/Ireland

DORMA UK Ltd.
Door Controls Division
Wilbury Way
GB-Hitchin
Hertfordshire SG4 0AB
Tel. +44 14 62/47 76 00
Fax +44 14 62/47 76 01



Door Control



Automatic



Glass
Fittings and
Accessories



Security/
Time and
Access (STA)



Movable
Walls

